

Manufactory of High Precision CNC Lathes 高精密數控車床專業製造廠

100% Overseas After Service
Overseas Office in Europe

100%全球完整售後服務
有設立歐洲分公司據點



LIBARE ENTERPRISE CO., LTD.
堡辰企業有限公司

ALPHA-25 & ALPHA-32



正側鑽和C軸定位
Side drill & Front drill & C Axis



正鑽 Front Drill



側鑽 Side Drill

機械特性

- **穩定高速的精密主軸**
主軸採用P4級軸承，主軸伺服控制系統，並配合C軸作角度切換等多項功能，提高加工效率及其機械之穩定性。
- **線性滑軌及導螺桿**
採用精密線性滑軌、滑塊機構，由精密滾珠螺桿及精密滑塊動作，達到精密定位之功能。
- **手搖輪程式模擬功能**
控制器容易操作，程式設計後，可手動轉動手搖輪MPG來空跑，看刀具移動是否正確，測試正確後即可實際加工自動生產。減少人為因素，效率提升降低成本。
- **特殊配備**
 1. 側(立)銑裝置：可銑邊、可鉗側孔等用途。
 2. 切削輸送機：方便切削的處理與清理。
 3. 全自動變壓及穩壓裝置：可提供穩定的電源環境，可降低機械的故障率。
 4. 自動棒材送料機。

Features

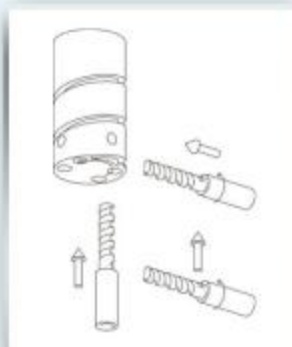
- **Stable, High-speed spindle**
The spindle adopted P4 grade bearings. We use the control system of high-speed, high precision spindle, complete with C axis to do orientation function etc. It can promote processing efficiency and machine's stability.
- **Linear Sliding Rail And Ball Screw**
The leading mechanism of Ball screws for precision linear Guideway is operated by nut and sliding block to get precision position position and high-structure function.
- **MPG Test Function**
Easily operation of controller, you can use MPG hand-wheel to test after program designed as well as prove program is correct to lathe products automatically. Enhanced efficiency, reduced cost, personal inaccuracy decreasingly.
- **Option Accessories**
 1. Milling Device: for side / vertical / front side milling, and side drilling function.
 2. Chip Conveyor: The chip conveyor allows easy collection of chips during operation.
 3. Automatic transformer & stabilizer: It keep stable power and transmission outlet completely to avoid breakdown of machine.
 4. Auto bar feeder machine.

主體設計

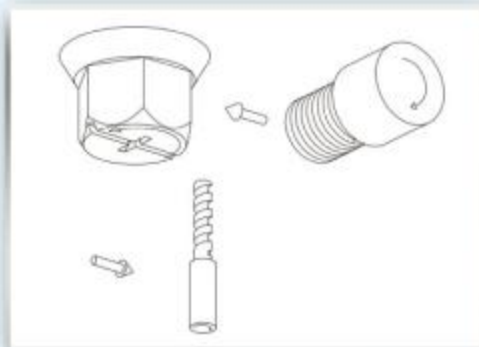
- 外徑車刀3座-6支車刀。
- 內徑鑽孔2座-4支鑽頭 (ER16或ER20)
- 主軸電控採Panasonic和日本製P4高精度軸承。
- 線性滑軌採德國製高剛性滑軌。
- 加裝安全門，皮帶斷裂，內部潤滑油，安全檢測通告系統。
- 本機通過電控"CE"認證。

Main design

- O.D. tool 3 bade-6pc tool bits.
- ID drill 2 base-4pc drill(ER16 of ER20)
- Spindle controler system adopt "panasonic" and p4 grade ballbearing by JAPAN.
- Linear guideway adopt highly precise grade by Germany.
- Saft gate, belt, inner lubricant saft-testing announce.
- "CE" Identification.



側鑽+正面鑽加工示意圖
Side Drill + Front Drill



正面鑽+立銑加工示意圖
Front Drill + Vertical Drill



堡辰企業有限公司 LIBARE ENTERPRISE CO., LTD.
達辰精密機械有限公司 LIBARE MACHINERY CO., LTD.

電腦面板控制器

- 本機電控採用LNC和SYNTEC寶元系統。
- 適合初學者，可手控搖慢進。

Controler monitor

- Using highly accurate "LNC" and "SYNTEC" controler system.
- Suitable for new operator, slow feeding rate by hand-wheel.



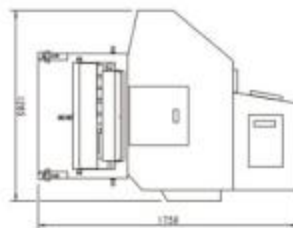
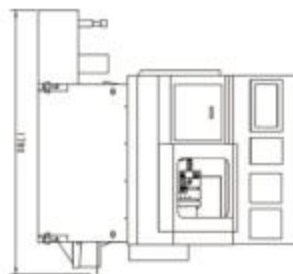
加工產品

- 適用於電子、電腦、汽車零件及沖床、塑膠五金。
- 適用材料：銅、鐵、鋁、不鏽鋼、碳鋼。

Productions

- Fit for electronic, computer, motorcycle, press, plastic parts and hardware.
- Materials: brass, free cutting steel, aluminium, stainless steel and carbon iron.

機械尺寸圖 Macine Size



特別附件

- 鐵屑輸送機

Optionals

- Metal chip conveyor.



規格表 SPECIFICATIONS

CNC Automatic Lathe ALPHA-25 ALPHA-32

Model Series		ALPHA-25	ALPHA-32
最大車削外徑	Max. Turning Diameter	Ø100 mm	
最大車削長度	Max. Turning Length	100 mm	
主軸最大孔徑	Max. Bore of Spindle	Ø26 mm	Ø33 mm
X軸行程	X Axis Travel	620 mm	
Z軸行程	Z Axis Travel	115 mm	
主軸馬達	Spindle Motor	5.5 HP(4KW)	
主軸最大轉速	Spindle Max. Speed	6000 rpm	
主軸馬達定位精度	Spindle Motor Positioning	4/1000□	
X軸馬達	X Axis Servo Motor	1 HP (750 W)	
Z軸馬達	Z Axis Servo Motor	1 HP (750 W)	
外徑車刀座	O.D. Turning Tool	12*12mm (3 Base / 6 pcs Tools)	
內徑鑽孔座	I.D. Turning Tool	ER16 (3 or 4 PCS)	ER20 (3 or 4 PCS)
油壓馬達	Hydraulic Motor	1HP	
切削油馬達	Coolant Pump Motor	1/4 HP	
切削油容量	Oil Tank	180 L	
淨重	Net Weight	1850 KGS	
機械尺寸(最大)	Machine Dimension (Max.)	1780(L)x1285(W)x1750(H) mm	

標準配件	Standard Accessories
外徑車刀座	O.D. Turning Tool Holder 3 Base (6 tools)
內徑鑽孔座	I.D. Drilling Shaft 2 Base
檔料棒	STOP BAR 1 PC
工作燈	Operation Lamp 1PC

特別選購配件	Option Accessories
自動送料機	Automatically Bar Feeder
鐵屑輸送機	Chip Conveyor
穩壓 & 變壓器(15KVA)	Transformer & Stabilizer (15KVA)
側鑽	Side Drill (400W Servo Motor)
立銑	Vertical Milling (400W Servo Motor)
正面鑽	Front Drill (400W Servo Motor)

LIBARE ENTERPRISE CO., LTD.
 堡辰企業有限公司

Headquarter / 總公司

4F, No. 57, Lane 20, Ta-Jen St. Chung-Ho Dist., New Taipei City 235, Taiwan
 TEL: +886-2-29421979 E-mail: libare-sales@umail.hinet.net
 FAX: +886-2-29407523 http://www.libare.com.tw

LIBARE MACHINERY CO., LTD.
 達辰精密機械有限公司

Factory / 工廠

No.2, Alley 4, Lane 71, Cheng-Tien Rd., Tu-Cheng Dist., 236,
 New Taipei City, Taiwan